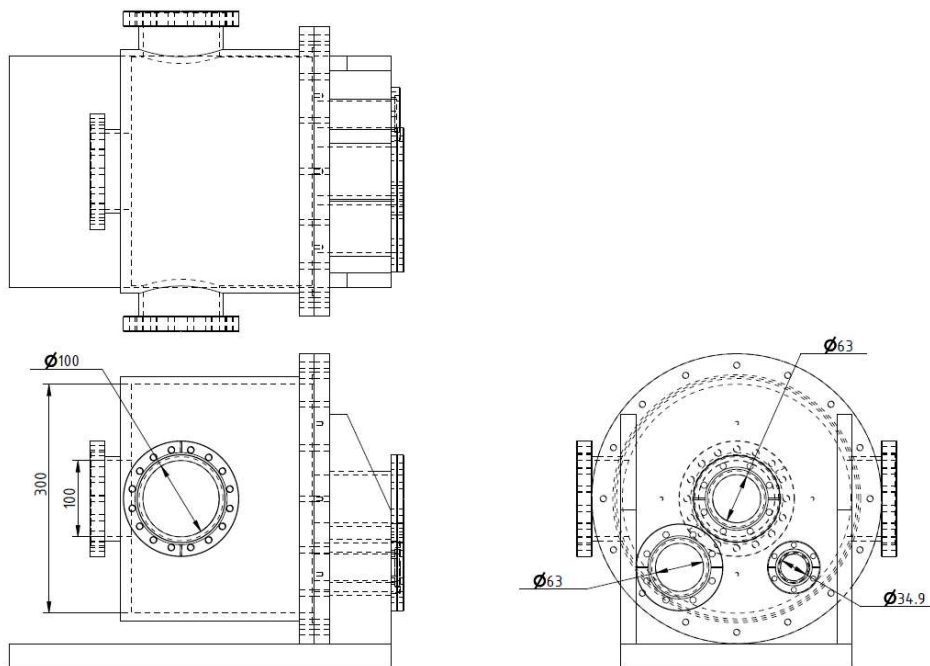


Annexure 1

Title "UHV S.S. chamber with powered coated M.S. supported structure"

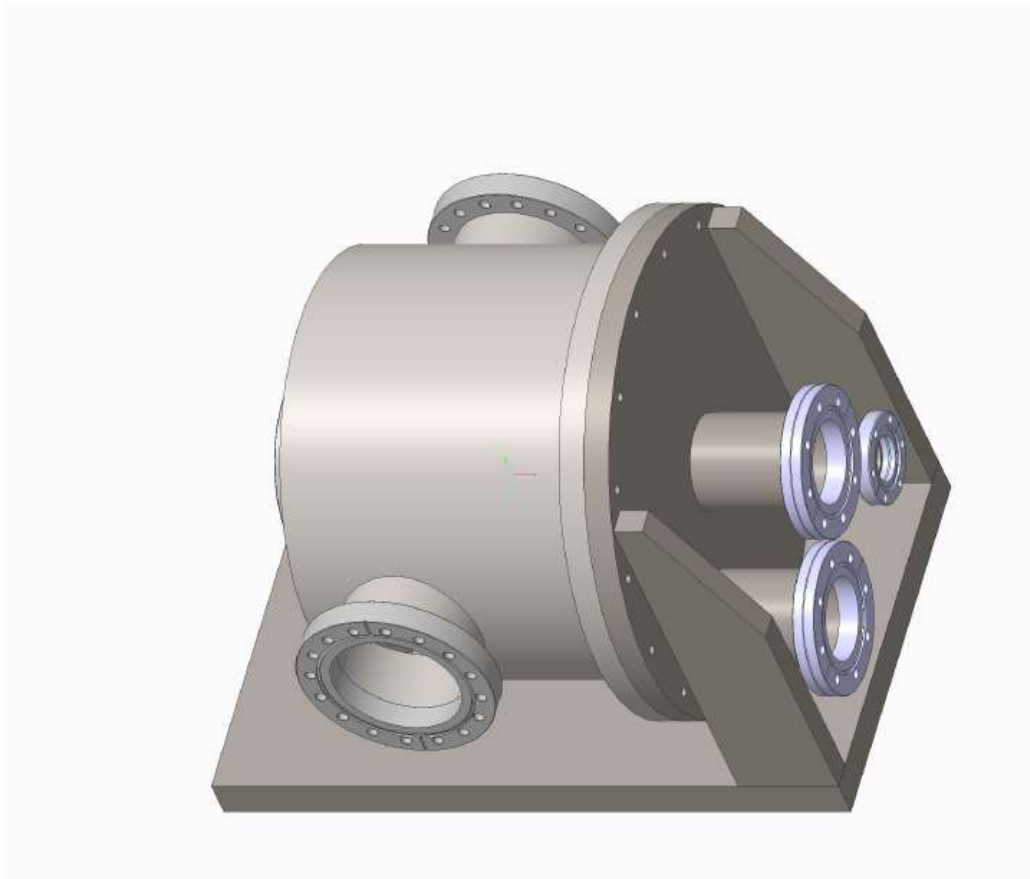
Specifications for UHV S.S. chamber with powered coated M.S. support structure (01 No)

1. Dimensions of chamber are given in attached Annexure 1.
2. The chamber should have UHV compatibility up to a vacuum of 1×10^{-9} Torr and should be bake able up to 150°C .
3. Three port of DN100CF size should be on main chamber as per attached drawing.
4. Two ports of sizes DN63CF and one port of size DN40CF should be on cover plate of the chamber as per attached drawing.
5. The chamber should include required O rings nuts, bolts and gaskets.
6. The chamber should be provided with blank flanges for all ports.
7. Chamber should be provided with sliding guide at the base plate for easy opening and closing.
8. The support structure should be such that central height of UHV S.S. chamber mentioned in the model should be 1400 mm with ± 10 mm manual height adjustment.



UHV S.S. chamber

(All the dimensions are in mm.)



Pictorial view of UHV S.S. chamber

Note:

- 1. The supplier should get the mechanical drawing approved by B.A.R.C. authority before starting fabrication.**
- 2. The system shall be inspected for leak tightness in front of BARC's representative at the supplier premises prior to shipment.**