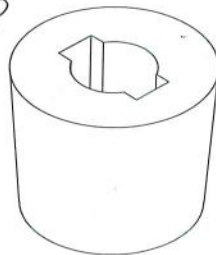
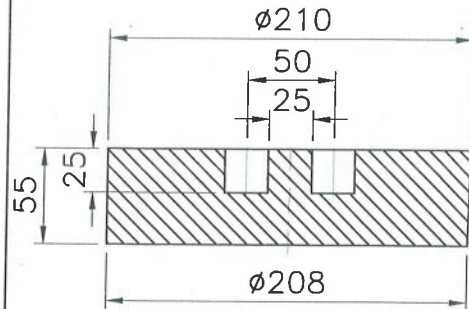
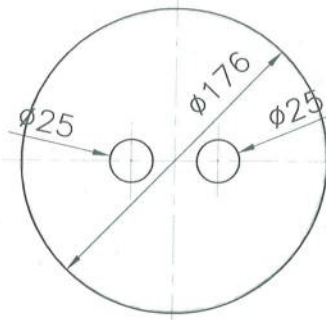


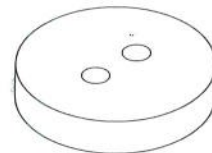
CONTAINER
QTY- 1



ISOMETRIC VIEW



LID
QTY-1



ISOMETRIC VIEW

NOTES :-

1. ALL DIMENSIONS ARE IN mm.
2. MOC: - EPS, TYPE-2
3. DENSITY : 25 Kg / M³.
4. Tolerance: ±2.00



**BOARD OF RADIATION & ISOTOPE
TECHNOLOGY (BRIT)**

(Govt of India, Dept. of Atomic Energy)
BRIT/BARC VASHI COMPLEX,
SECTOR-20, VASHI, NAVI MUMBAI-400 703.

	NAME	DATE
DRAWN		02.03.2017
CHECKED		
APPROVED		

SCALE:-

PROJ:-

TITLE: EPS CONTAINER FOR LP-30

DRAWING No.: BR/TD/17/02

AMENDMENT: NIL