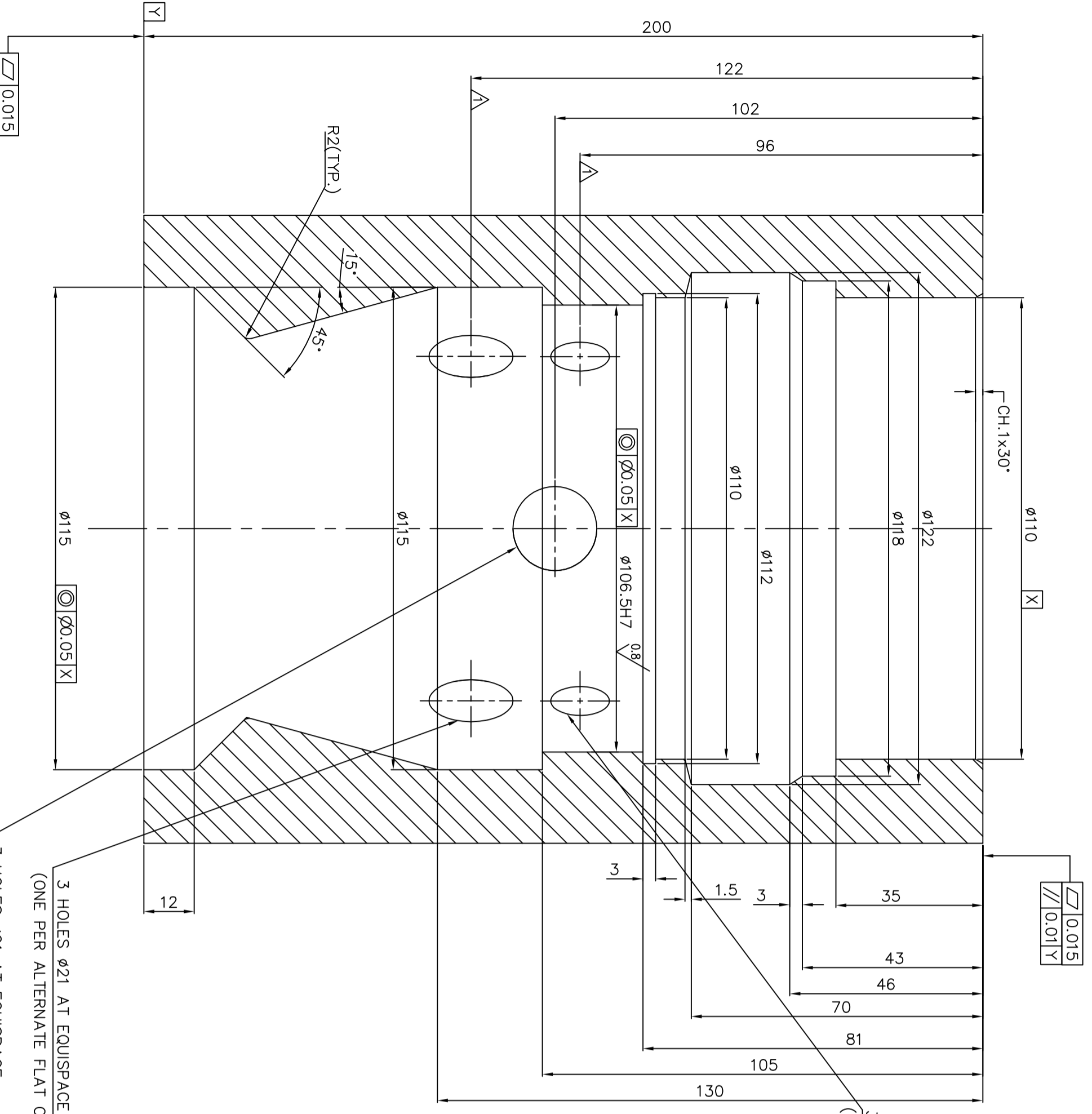


B



SECTION-AA
HANDLING HEAD

3 HOLES ø15 AT 120° APART
(ONE PER ALTERNATE FLAT OF HEX. SURFACE)

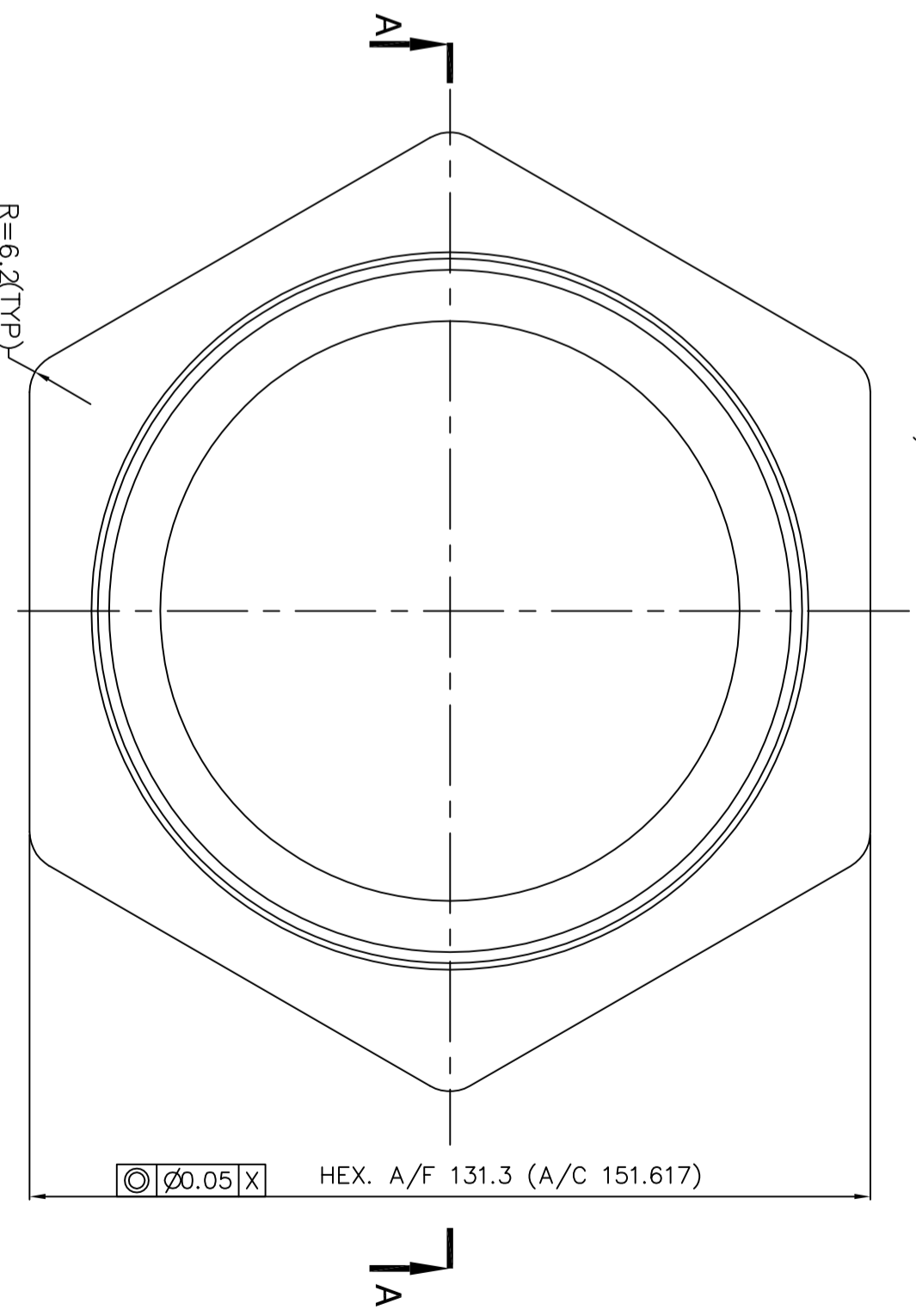
3 HOLES ø21 AT EQUISPACE
(ONE PER ALTERNATE FLAT OF HEX. SURFACE)

3 HOLES ø21 AT EQUISPACE
(ONE PER ALTERNATE FLAT OF HEX. SURFACE)

BILL OF MATERIAL				
ITEM No.	No. OFF.	DESCRIPTION	MATERIAL	REMARKS

NOTE :

1. ALL DIMENSIONS ARE IN MM.
2. ALL SHARP CORNERS SHOULD BE ROUNDED TO R0.5 mm(MAX.).



VIEW-B

No.	LOC.	DESCRIPTION	DRN.	CHD.	APPD.
A	Δ	DIMENSIONS ARE CORRECTED AS PER ATTACHED ITEM.			

THIS DESIGN AND DRAWING IS THE PROPERTY OF THE INDIRA GANDHI CENTRE FOR ATOMIC RESEARCH. IT MUST BE RETURNED WITH QUOTATION OR UPON DELIVERY OF MATERIAL AND EQUIPMENT AND MUST NOT BE USED EXCEPT BY THE PERMISSION OF THE OWNER

ISSUE No.	REV. No.	DRAWING RELEASED FOR	SIGNATURE & DATE
1	0	FABRICATION	

MATERIAL	QTY. PER ASSEMBLY	WT. PER PIECE IN KG.	HEAT TREATMENT	SURFACE TREATMENT	MIN. SURFACE FINISH & OTHER INFORMATION
SS304L	1 No.	-	-	-	3.2

NOM. SIZE, DESIG. & GRADE	DEVIATIONS
ø106.5H7	+0.035 +0.0

GOVERNMENT OF INDIA		INDIRA GANDHI CENTRE FOR ATOMIC RESEARCH
PROJECT:		PROTOTYPE FAST BREEDER REACTOR
TITLE:		HANDLING HEAD OF PFBR SUBASSEMBLY
ORIGINATING AGENCY	CDS/FRTG	DRG. No. CDS/PFBR/31450/DD/1507
DESIGNER		
CHD.		
REVD.		
APPD.		
SCALE	1:1	
PROJECTION		
DATE:		
DATE:		
DATE:		
DATE:		

REV. No. A