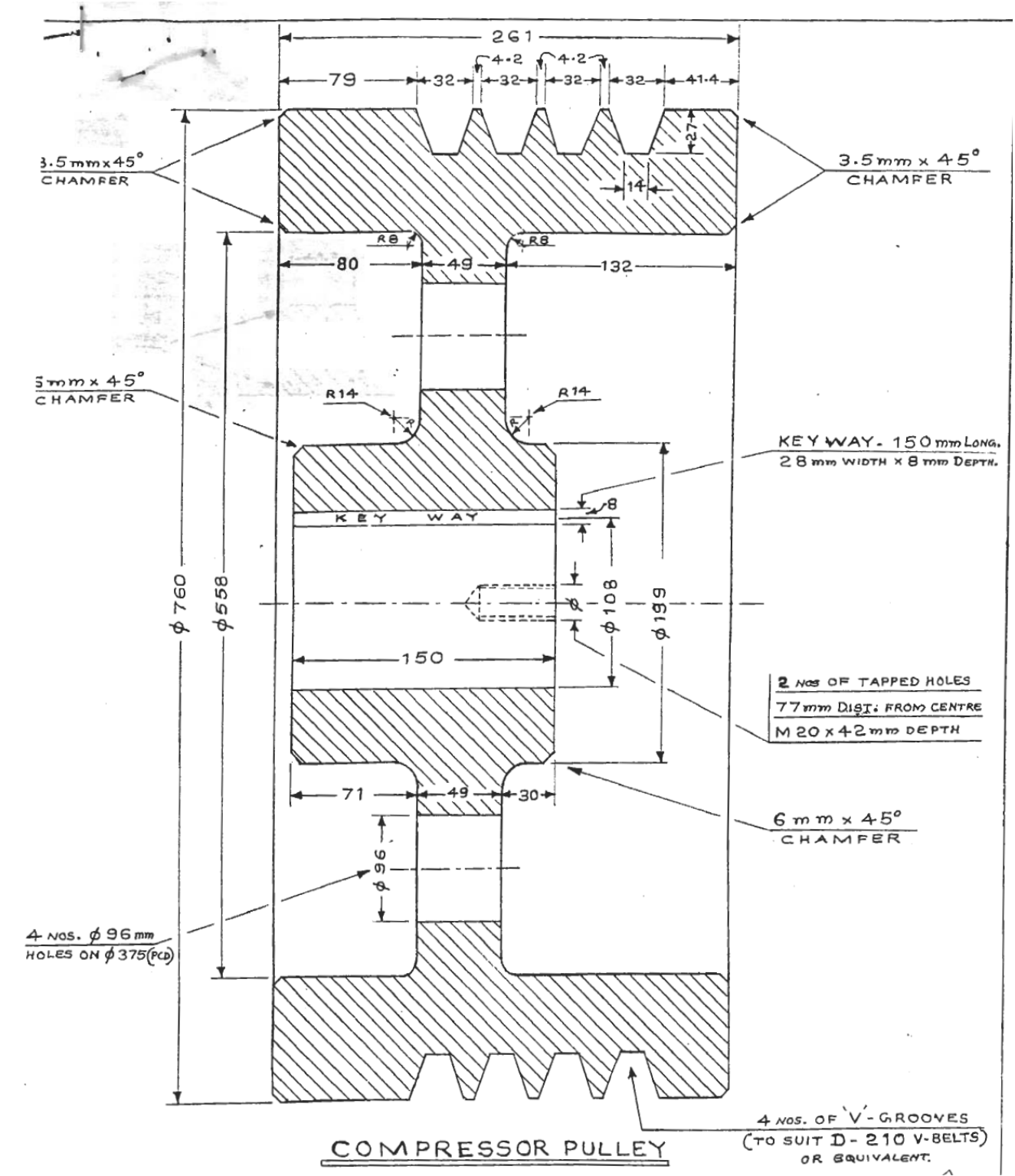


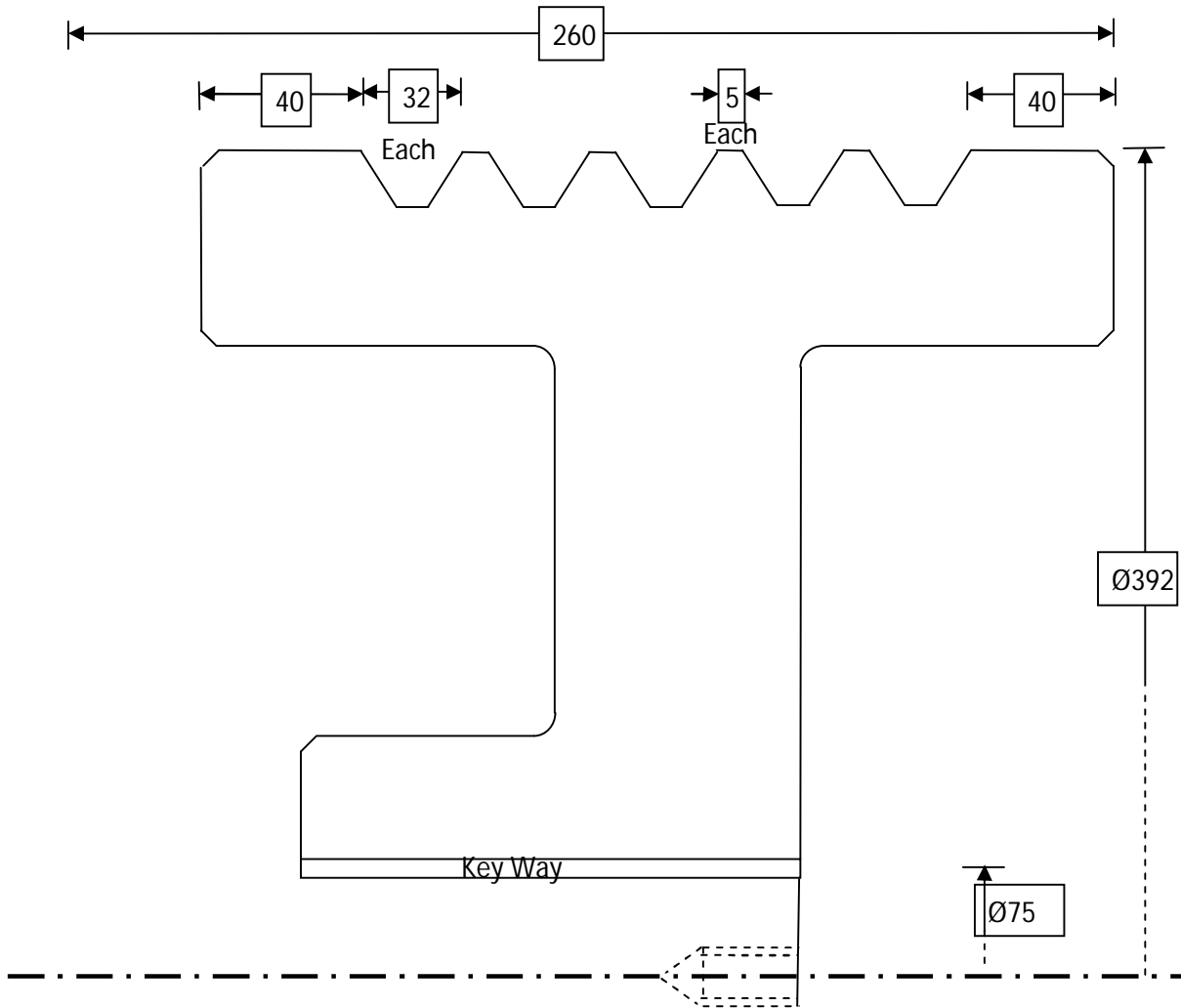
DRAWING-2:

(Pulley Motor Side (Driver Side) of "Vee" Groove Type for Air Compressor 7506 C1 to C5):



DRAWING-3:

(Pulley Motor Side (Driver Side) of "Vee" Groove Type for Air Compressor 7506 C6):

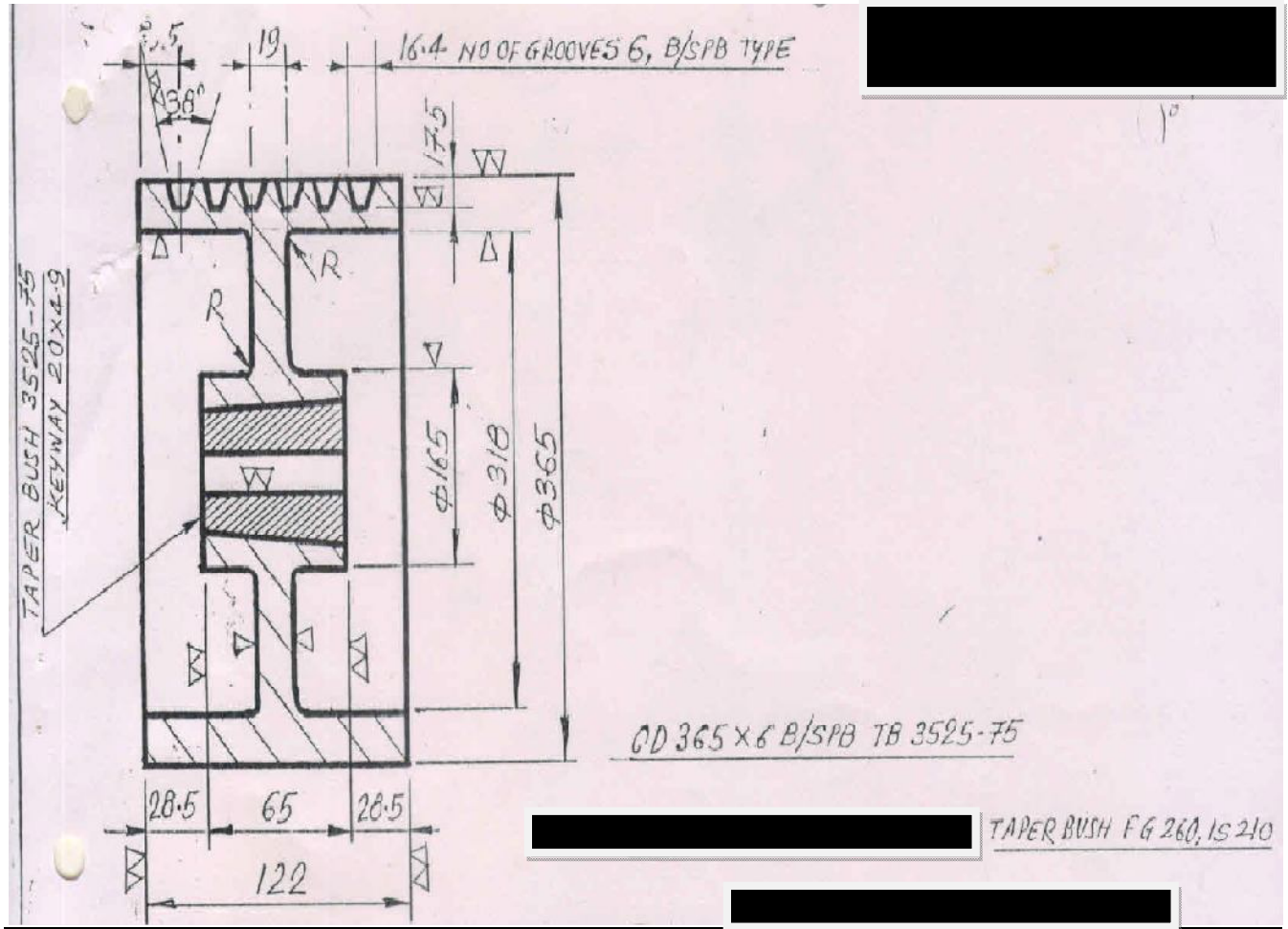


All dimensions in mm

Suitable for D-210 V-Belts

DRAWING-4:

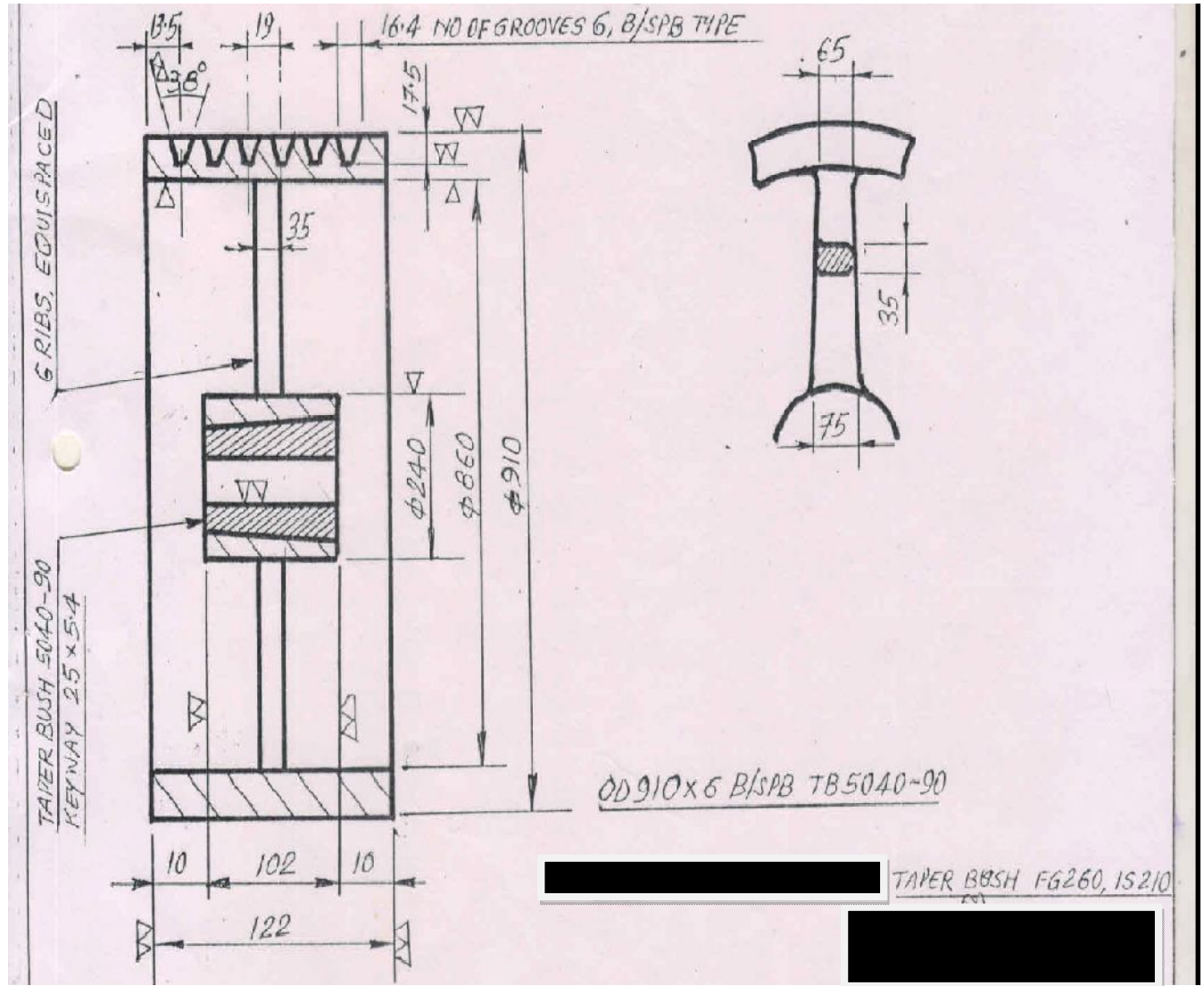
(Pulley Motor Side (Driver Side) of "Vee" Groove Type for Vacuum Pump 7112 P17 & 18):



Suitable for B-168 V-Belts

DRAWING-5:

(Pulley Pump Side (Driven Side) of "Vee" Groove Type for Vacuum Pump 7112 P17 & 18):



Suitable for B-168 V-Belts

ADDITIONAL DRAWING (DRAWING-6) FOR DRAWING-4:

