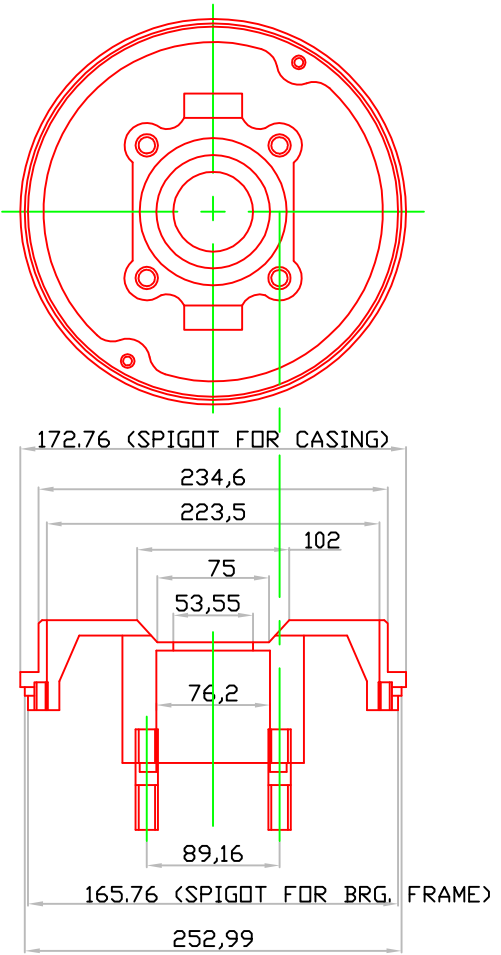
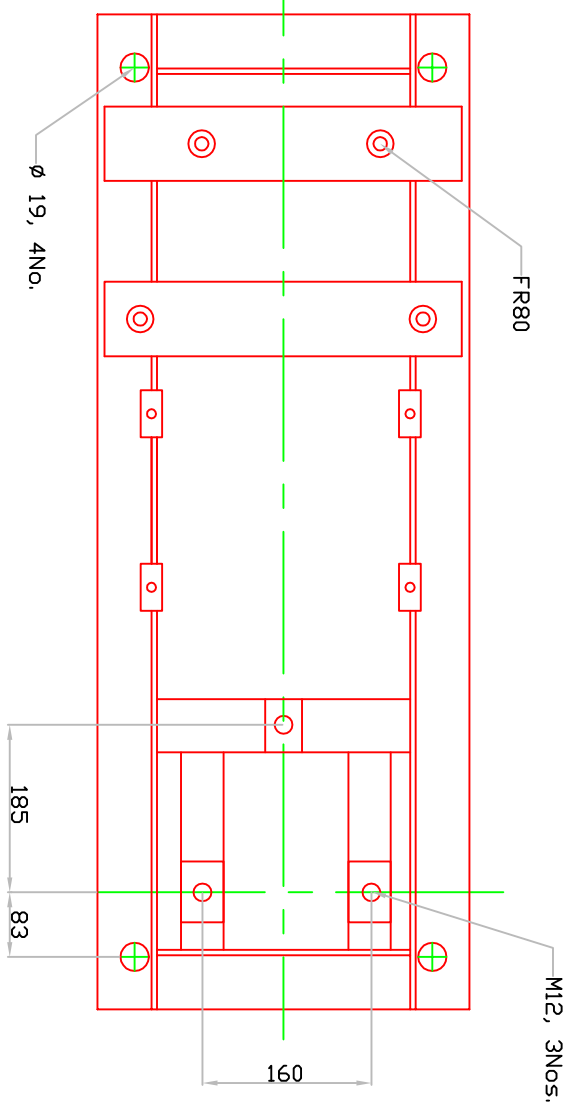
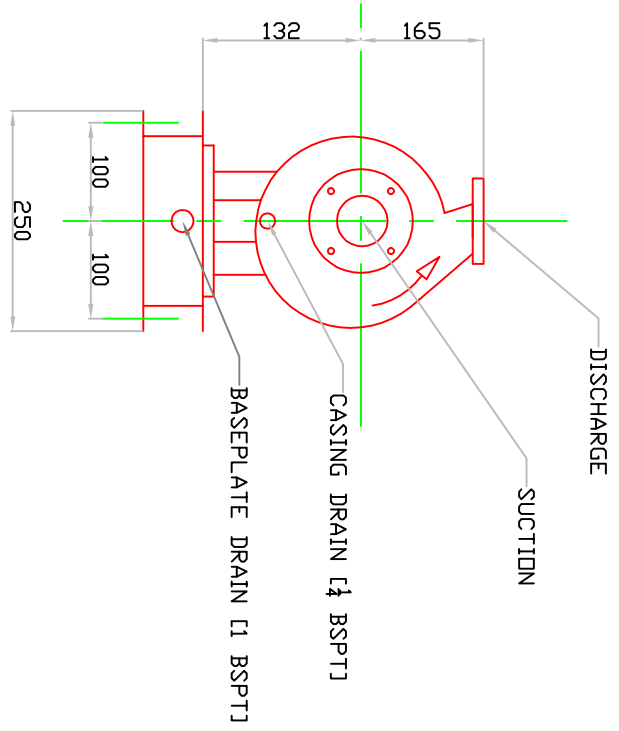
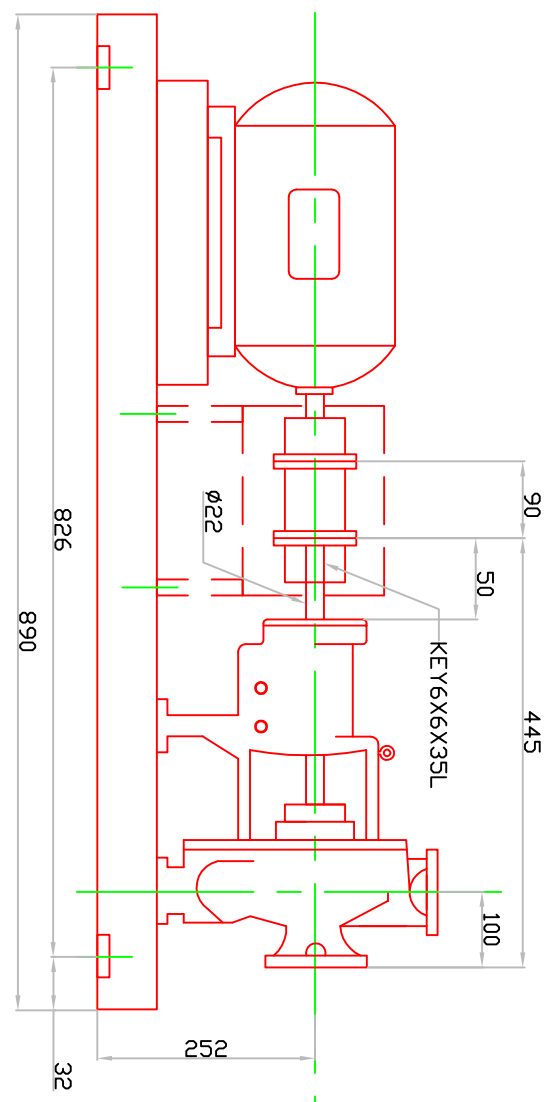


# SKETCH I- PUMP OVERALL DIMENSIONS



STUFFING BOX COVER