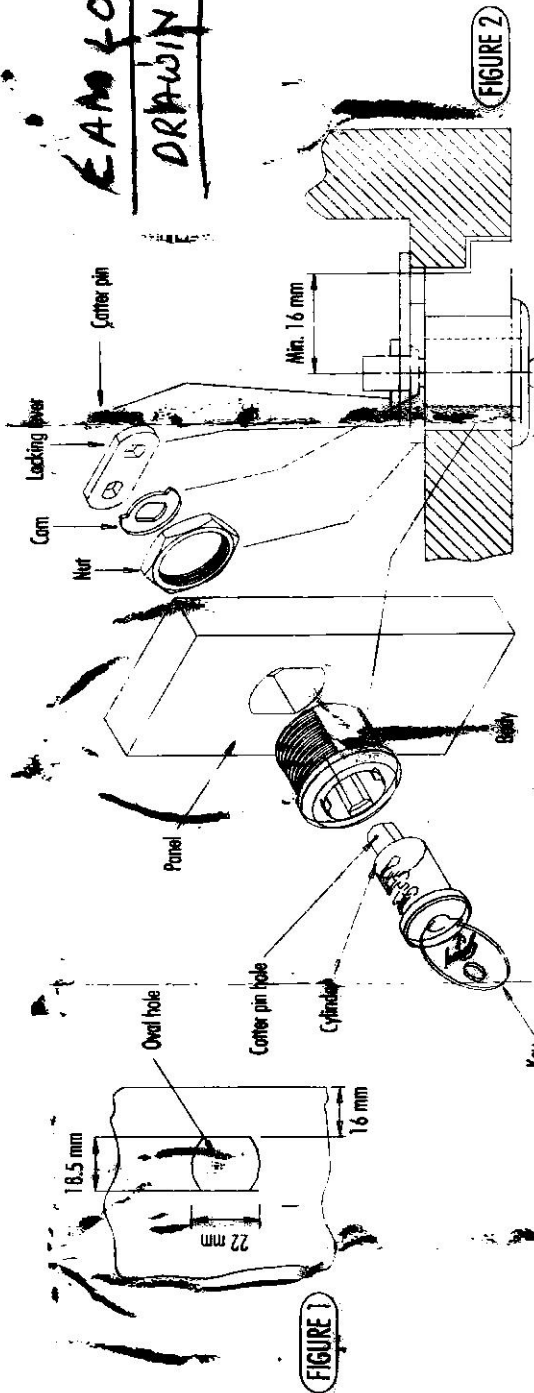


# EAM LOCK DRAWING



1. Make an oval hole of size 22 mm X 18.5 mm as shown in figure 1 at a distance of 16 mm from the rear edge and fit the lock body with the nut.
2. Insert the key cylinder assembly in the body and keep the key way vertical. Then from the backside insert the cam and locking lever in the key cylinder assembly such that the locking lever is in locked position. Put the center pin in position to complete the assembly.
3. Turn the key to see if the unlocking and locking are in the desired direction of rotation. If not reverse the cam, locking lever and the cam. Reverse the cam and reassemble the lock in the same way.
4. Check the smooth functioning of the lock and then open up the ends of the center pin.

FIGURE 1

FIGURE 2